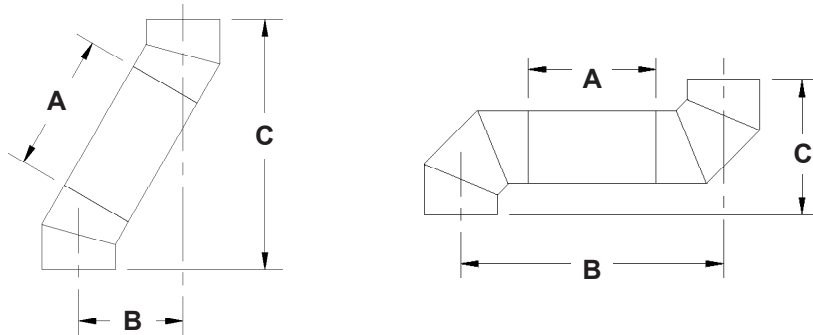




# SURE-SEAL DIRECT VENT CHIMNEY OFFSET CHART



4" x 6" Diameter					
A		45° Angle		90° Angle	
Length	No. Pcs.	B	C	B	C
0	0	6.500	17.125	12.125	13.500
6"	1	9.500	20.000	16.500	13.500
12"	1	13.750	24.250	22.500	13.500
18"	1	18.000	28.500	28.500	13.500
24"	1	22.250	32.750	34.500	13.500
30"	2	25.375	35.875	39.000	13.500
36"	1	30.750	41.250	46.500	13.500
42"	2	33.875	44.375	51.000	13.500
48"	1	39.250	49.750	58.500	13.500
54"	2	42.375	52.875	63.000	13.500
60"	2	46.500	57.000	69.000	13.500

5" x 8" Diameter					
A		45° Angle		90° Angle	
Length	No. Pcs.	B	C	B	C
0	0	7.000	18.375	15.250	16.625
6"	1	10.125	21.500	19.750	16.625
12"	1	14.375	25.750	25.750	16.625
18"	1	18.625	30.000	31.750	16.625
24"	1	22.875	34.250	37.750	16.625
30"	2	30.250	41.625	42.250	16.625
36"	1	31.375	42.750	49.750	16.625
42"	2	34.500	45.875	54.250	16.625
48"	1	39.875	51.250	61.750	16.625
54"	2	43.000	54.375	66.250	16.625
60"	2	47.250	58.625	72.250	16.625